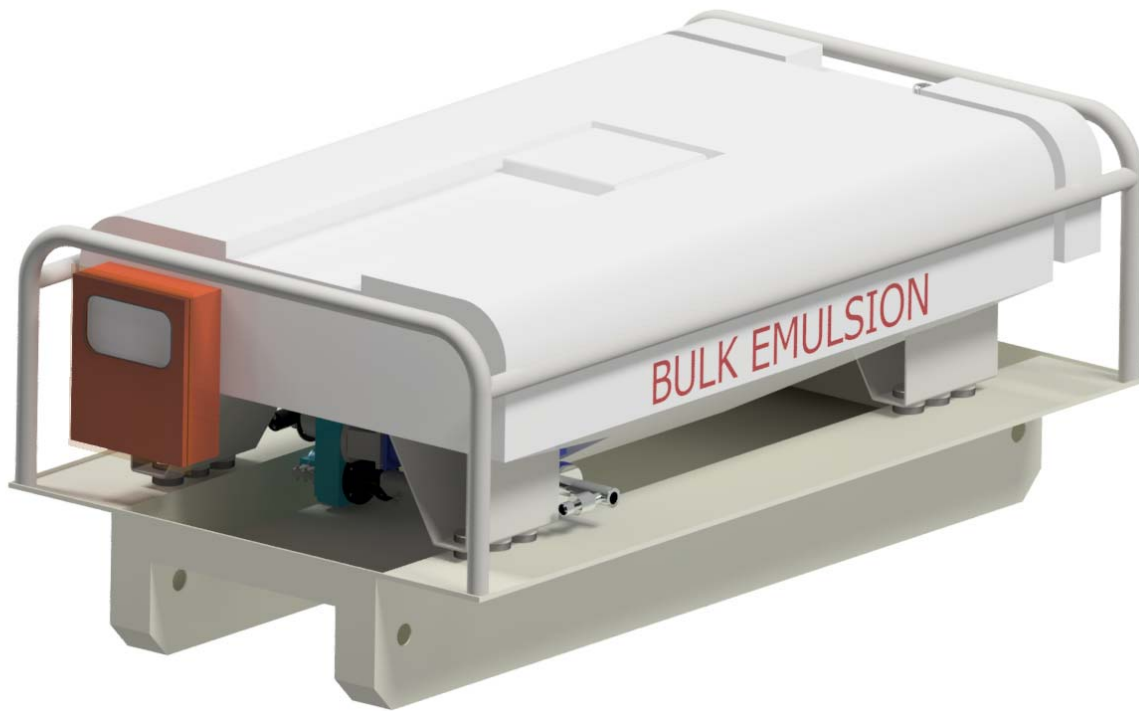


# BULK EMULSION CASSETTE



## TECHNICAL SPECIFICATIONS

- **TANK CONFIGURATION**

Emulsion Tank	4000L
Gassing Tank	360L
Water Tank	100L
- **CHARGING EQUIPMENT**  
Supplied by site specific contractor
- **HYDRAULIC SUPPLY**  
108 L/min @ 200bar
- **ELECTRICAL SUPPLY**

Voltage	24 DC
Current	35 amps
- **WEIGHT**

Operating:	2000kg
Max Payload:	6000 kg
- **DIMENSIONS**

Length	3650mm
Width	2100mm
Height	1550mm
- **OTHER OPTIONS**  
Available upon request.

## PERSONNEL CASSETTE

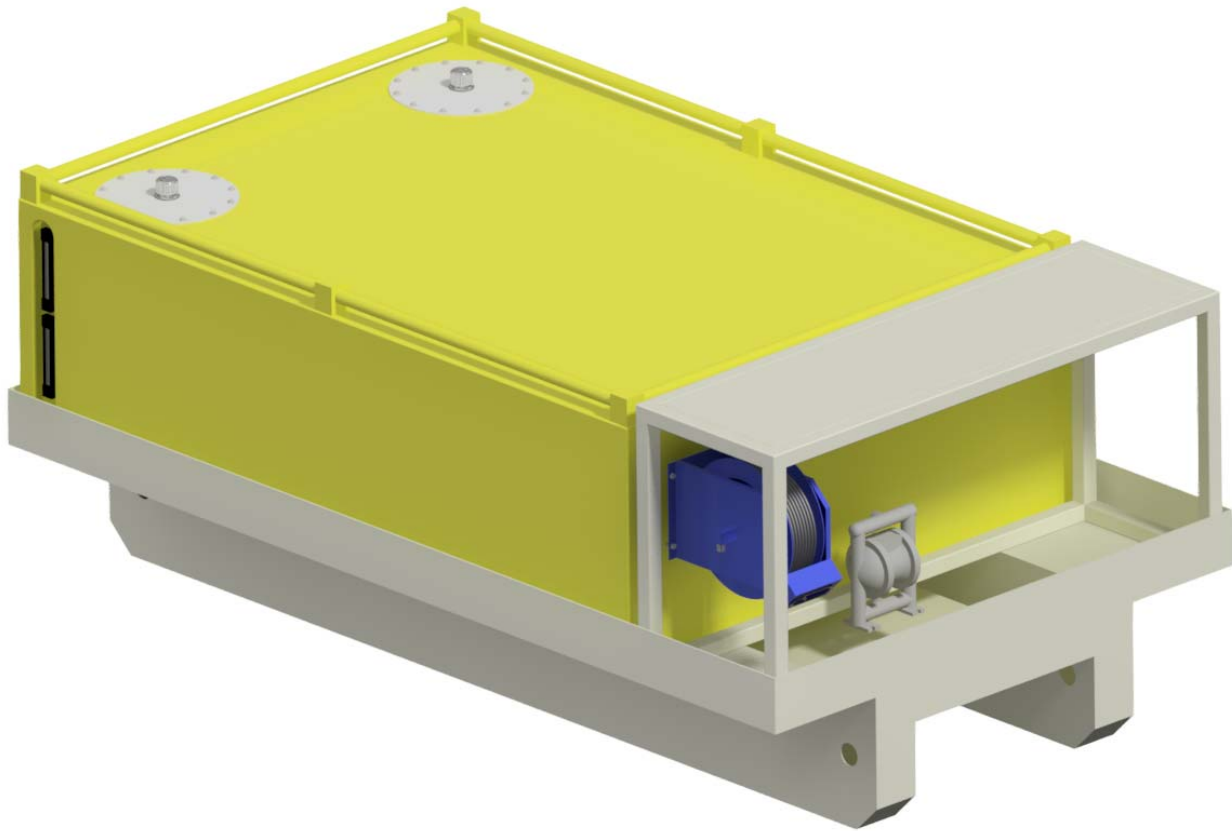


## TECHNICAL SPECIFICATIONS

- **SEATING CONFIGURATION**  
Steel benches with lap straps.  
Seating for 30 pax.
- **CANOPY**  
F.O.P.S. certified
- **WEIGHT**  
Operating: 2200 kg  
Max Payload: 3600 kg
- **DIMENSIONS**  
Length 5000mm  
Width 2400mm  
Height 1720mm
- **OTHER OPTIONS**  
Park Brake interlocked doors.

# FUEL BOWSER CASSETTE

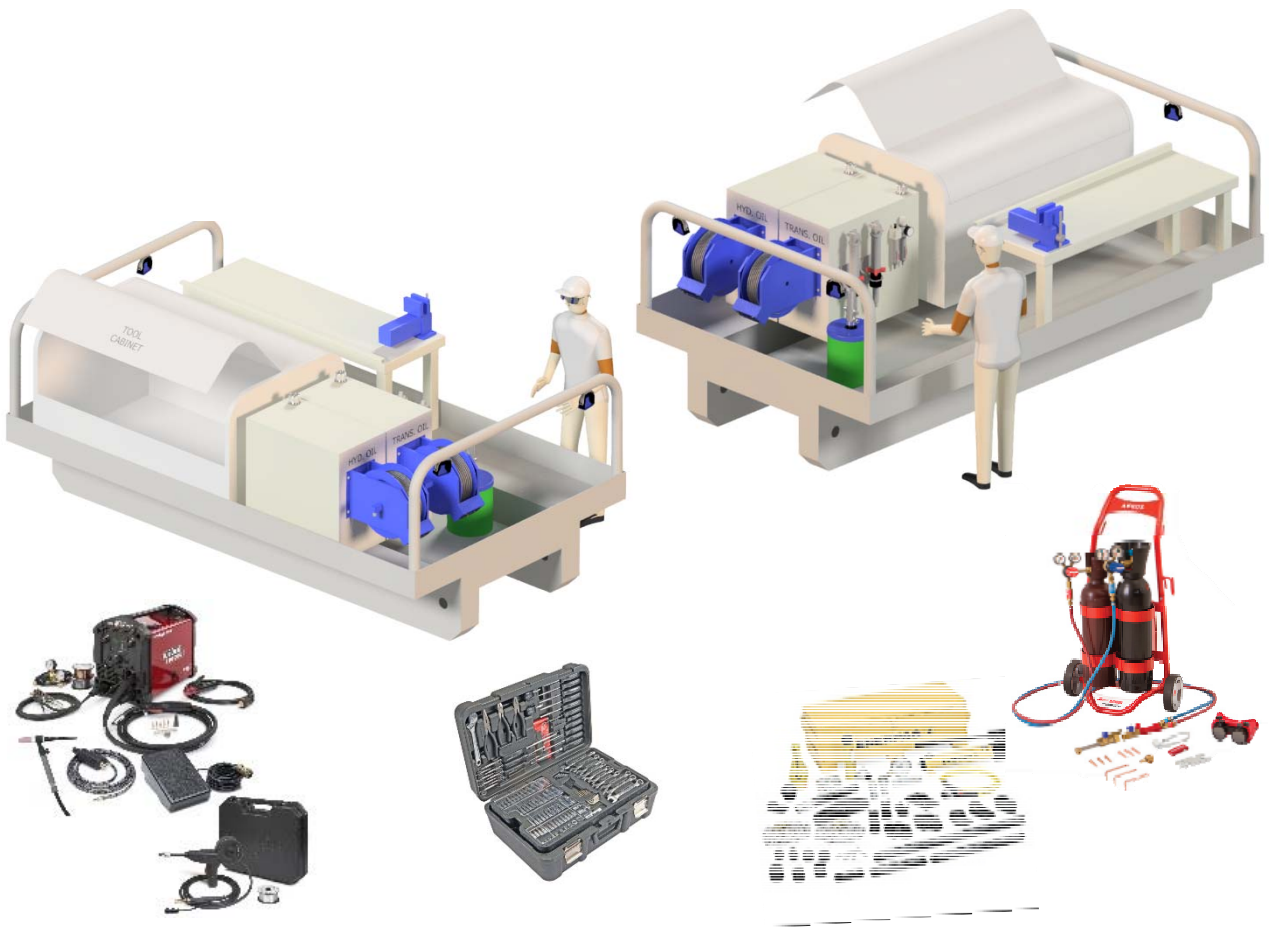
## TECHNICAL SPECIFICATIONS



- **TANK CONFIGURATION**  
Diesel                      5000L
- **TRANSFER EQUIPMENT**  
Pneumatic/hydraulic transfer pump  
In line filtration & water separation
- **WEIGHT**  
Operating:                      2200 kg  
Max Payload:                      5000 kg
- **DIMENSIONS**  
Length                              3650mm  
Width                                2100mm  
Height                                1550mm
- **OTHER OPTIONS**  
Available upon request.

# MAINTENANCE CASSETTE

## TECHNICAL SPECIFICATIONS



### ■ CASSETTE CONFIGURATION

Tool cabinets  
LED Work lights  
Steel Work Bench with fitted vice.

### ■ OTHER OPTIONS

Lube tanks with dispensing equipment.  
18kg Grease drum with hose reel and greasing nozzle.

Tools sold separately.

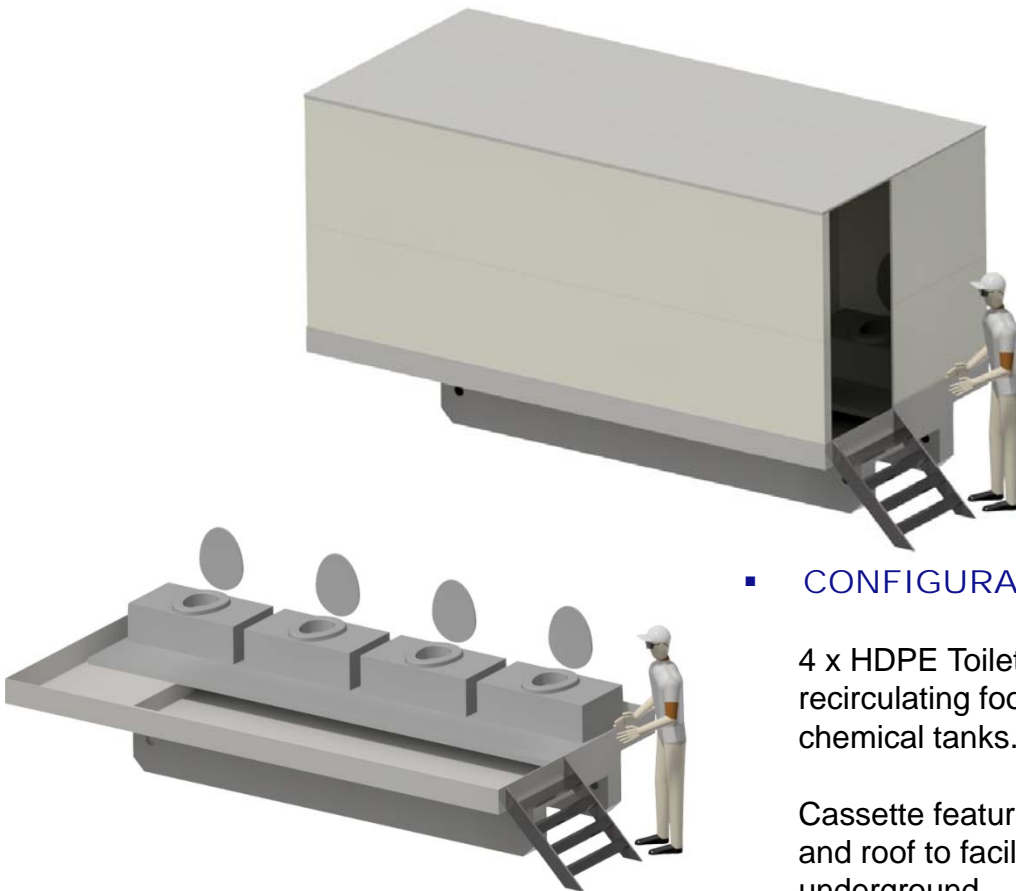
### ■ WEIGHT

Operating: 2200 kg  
Max Payload: 5000 kg

### ■ DIMENSIONS

Length 3650mm  
Width 2100mm  
Height 1550mm

# COMMODE CASSETTE



## ■ CONFIGURATION

4 x HDPE Toilets each fitted with recirculating foot pumps and chemical tanks.

Cassette features foldable sides and roof to facilitate transport underground.

## ■ WEIGHT

Operating:	2200 kg
Max Payload:	2000 kg

## ■ DIMENSIONS

Length	4500mm
Width	2100mm
Height (transport)	1550mm
Height (deployed)	2476mm

## ■ OTHER OPTIONS

- Wash basins
- Urinals
- Soap and toilet roll dispensers

