

SCISSORLIFT UTILITY

MV-U40D-SL



VEHICLE APPLICATION

The Scissorlift Utility Vehicle is capable of performing a multitude of tasks, it is equipped with a platform that is capable of lifting 1500 kgs. It can also be supplied with a 1 ton Crane for lifting heavy cargo onto the platform. The platform is controlled via an Electrical Pendulum. The vehicle is fitted with Outriggers as standard.

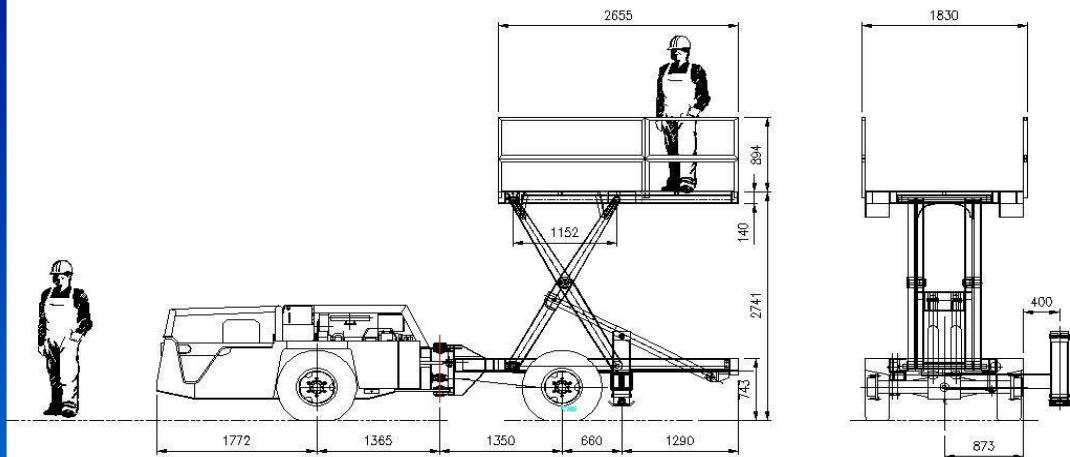
AUTHORISED DISTRIBUTORS:

MINE MACHINES (PVT) LTD
P O Box 9299, Hillside, Bulawayo.
Tel : (2639) 77827, 66884, 79932.
Fax: (2639) 72369.
E-Mail : minemach@mweb.co.zw

GHH MINING MACHINES (PTY) LTD
P O Box 131214, Northmead, Benoni
Tel : (+27) 11 894 8221/2/3/4
Fax: (+27) 11 894 8226
E-Mail : beneke.d@ghhmm.co.za

MINTECH
P O Box 10701 Tatitown, Ftwn.
Tel : (+267) 241 2725
Fax: (+267) 241 6616
E-Mail : minetech@botsnet.bw

SCISSOR LIFT UTILITY MV-U40D-SL



TECHNICAL DATA

ENGINE

Air cooled Deutz F4L914
Catalytic Purifier and Fume
Diluter

TRANSMISSION

Dana Clark Power shift
3 speed forward and reverse
Constant 4 Wheel Drive

AXLES

Rigid, Planetary Hub Reduction

BRAKES

Wet Disc Hydraulic Brakes
Spring applied fail-safe park brake
On all four wheels
Tyre Size - 8.25 x 15

STEERING

Frame Articulation +/- 34°
Orbital Valve and Steering Wheel
Frame Oscillation +/- 10°

HYDRAULICS

175 bar, 65 lit / min

ELECTRICAL SYSTEM

24V Negative Earth
35A Alternator
Lights Halogen 50W 4 Forward
2 Rear with red brake lights

PERFORMANCE

1st gear max 5km/hr
2nd gear 12km/hr
3rd gear 28km/hr

WEIGHT

Operating - 3960 kg
Maximum Payload- 4000 kg

DIMENSIONS

Length - 6637 mm
Width - 1700 mm
Height - 1380 mm
Wheel Base - 2715 mm
Wheel Track - 1510 mm
Ground Clearance - 260 mm
Load bed area - ~3,2 sq.m

TURNING RADIUS

Outer - 5728 mm
Inner - 3563 mm

FEATURES

Raising Platform with a
1500kg lifting capacity.
1 ton crane (optional)
Out riggers

AUTHORISED DISTRIBUTORS:

MINE MACHINES (PVT) LTD
P O Box 9299, Hillside, Bulawayo.
Tel : (2639) 77827, 66884, 79932.
Fax: (2639) 72369.
E-Mail : minemach@mweb.co.zw

GHH MINING MACHINES (PTY) LTD
P O Box 131214, Northmead, Benoni
Tel : (+27) 11 894 8221/2/3/4
Fax: (+27) 11 894 8226
E-Mail : beneke.d@ghhmm.co.za

MINTECH
P O Box 10701 Tatitown, Ftwn.
Tel : (+267) 241 2725
Fax: (+267) 241 6616
E-Mail : minetech@botsnet.bw