



UV BOTSWANA

MV U40D BB

Bulk Bowser



4 TONNE UTILITY VEHICLE RANGE

The Bulk Bowser utility vehicle can carry 2000L of diesel or water and is equipped with hydraulic powered pumps for dispensing diesel or water to the underground fleet.



▪ **ENGINE OPTIONS**

Water-Cooled

CAT C4.4 EPA Tier 3

Cummins QSB 3,3 EPA Tier 4

John Deere 4045DF270 EPA Tier 2

Perkins 1104C-44T EPA Tier 2

Air-Cooled

Deutz F4L914W EPA Tier 2

Catalytic Purifier & Fume

Diluter

▪ **TRANSMISSION**

Dana Clark Power Shift

3-speed forward & reverse

Constant 4-wheel drive

▪ **AXLES**

Rigid, Planetary Hub Reduction

112 Dana Spicer

▪ **BRAKES**

Wet Disc Hydraulic Brakes

Spring applied fail safe park brake

On all 4 wheels

Tyre size: 8.25 x 15

▪ **STEERING**

Frame Articulation $\pm 34^\circ$

Orbital valve & steering wheel

Frame Oscillation $\pm 10^\circ$

▪ **HYDRAULICS**

175bar, 65lit/min

▪ **ELECTRICAL SYSTEM**

24V negative earth

55A alternator

Lights Halogen 50W 4 forward

2 rear with red brake lights

LED Navigation Lights

C.A.S. System – Optional

Overspeed System –Optional

Data Logging – Optional

▪ **PERFORMANCE**

1st gear: 5km/hr (max)

2nd gear: 12km/hr

3rd gear: 28km/hr

▪ **WEIGHT**

Operating: 3960kg

Max Payload: 4000kg

▪ **DIMENSIONS**

Length 6969mm

Width 1700mm

Height 1400mm

Wheel base 2715mm

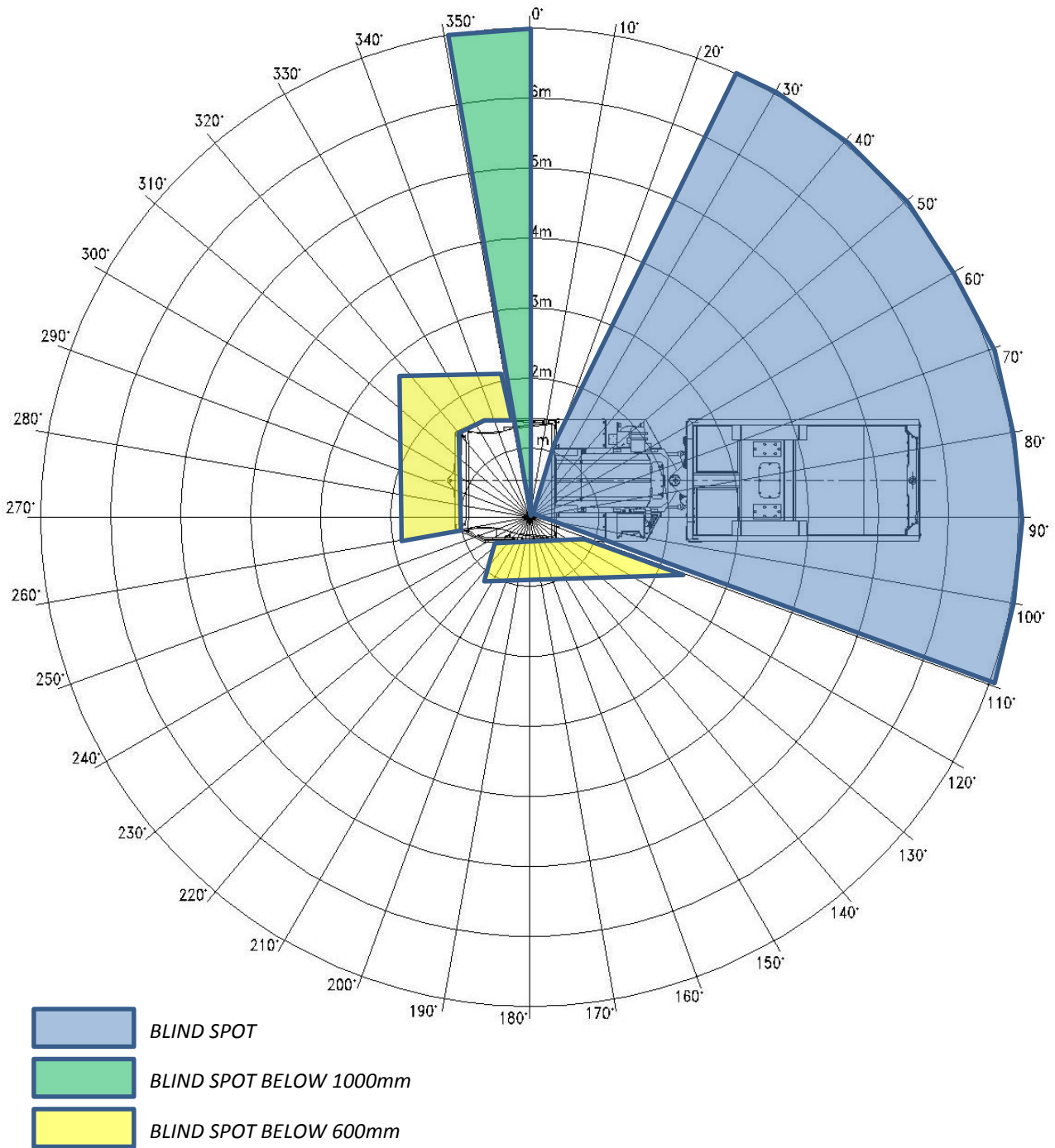
Ground Clearance 260mm

Tank capacity 2000L

▪ **TURNING RADIUS**

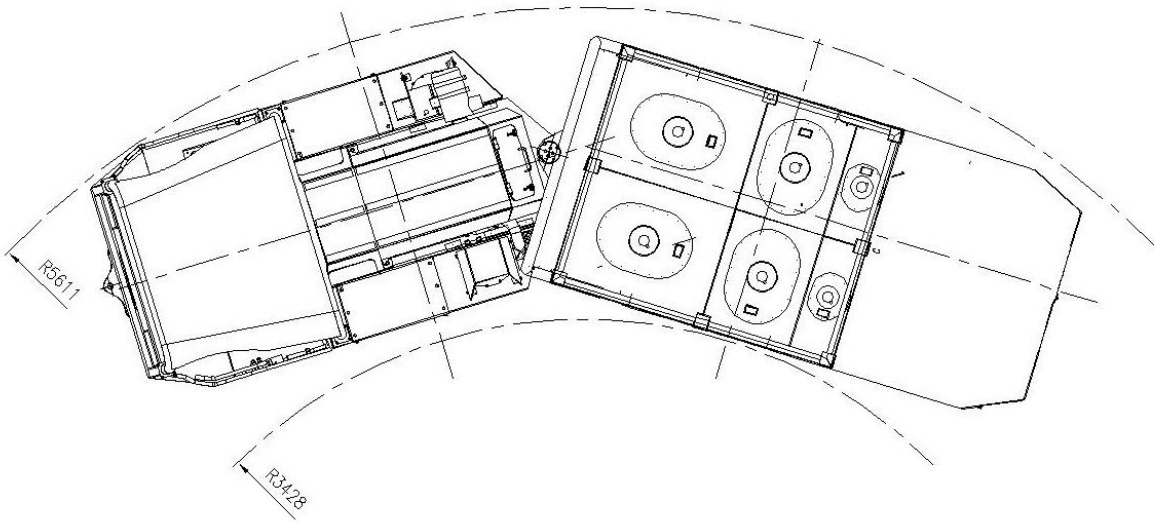
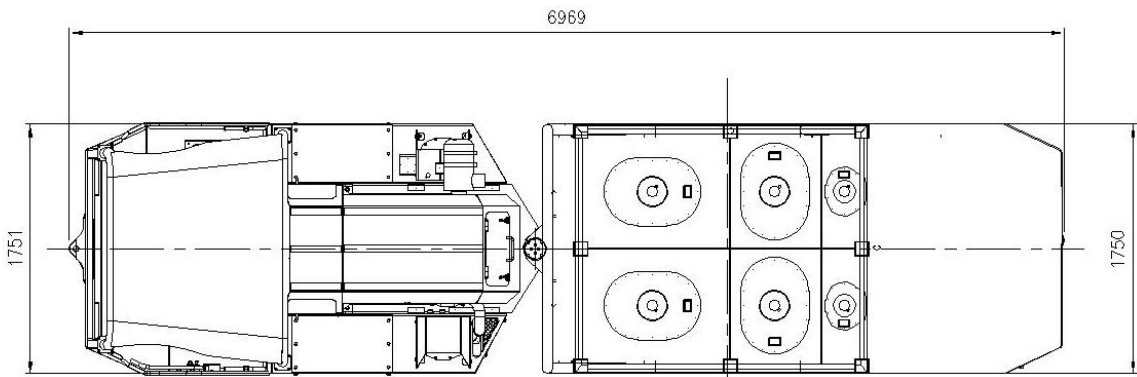
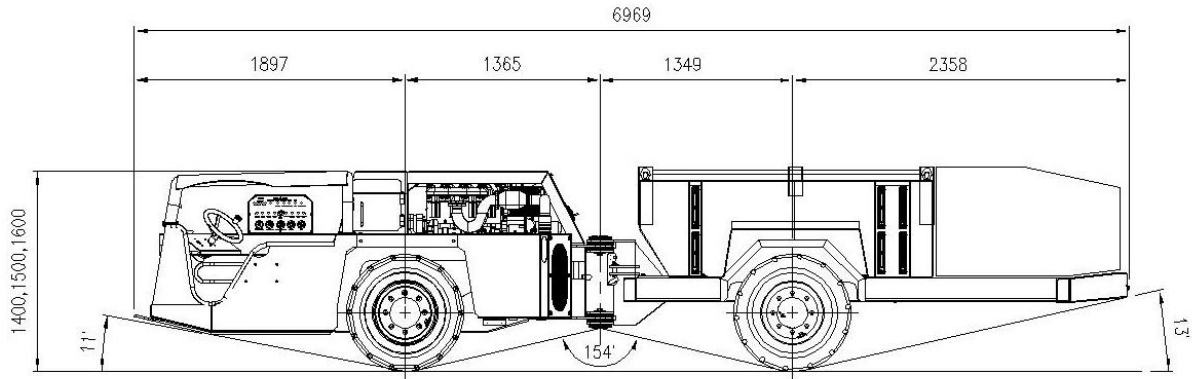
Outer 5657mm

Inner 3559mm



MV - U40D - BB

VEHICLE DIMENSIONS



WATER BOWSER UTILITY VEHICLE